

## SPECIFICATIONS:

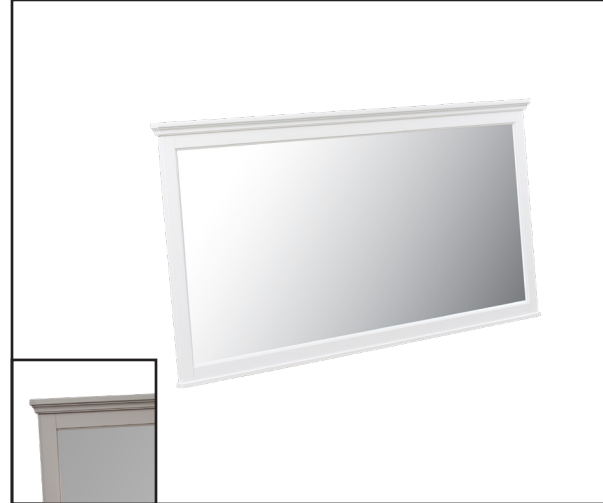
- White or grey finish
- Decorative frame
- Pre-attached mounting hardware
- Fully assembled

## OVERALL DIMENSIONS:

60" (W) x 2" (D) x 31" (H)  
1524mm (W) x 47.8mm (D) x 787.4mm (H)

## SHIPPING:

**Cube** 6.65  
**GW** 34.47 lbs



## ITEMS TO BE SPECIFIED:

### WHITE:

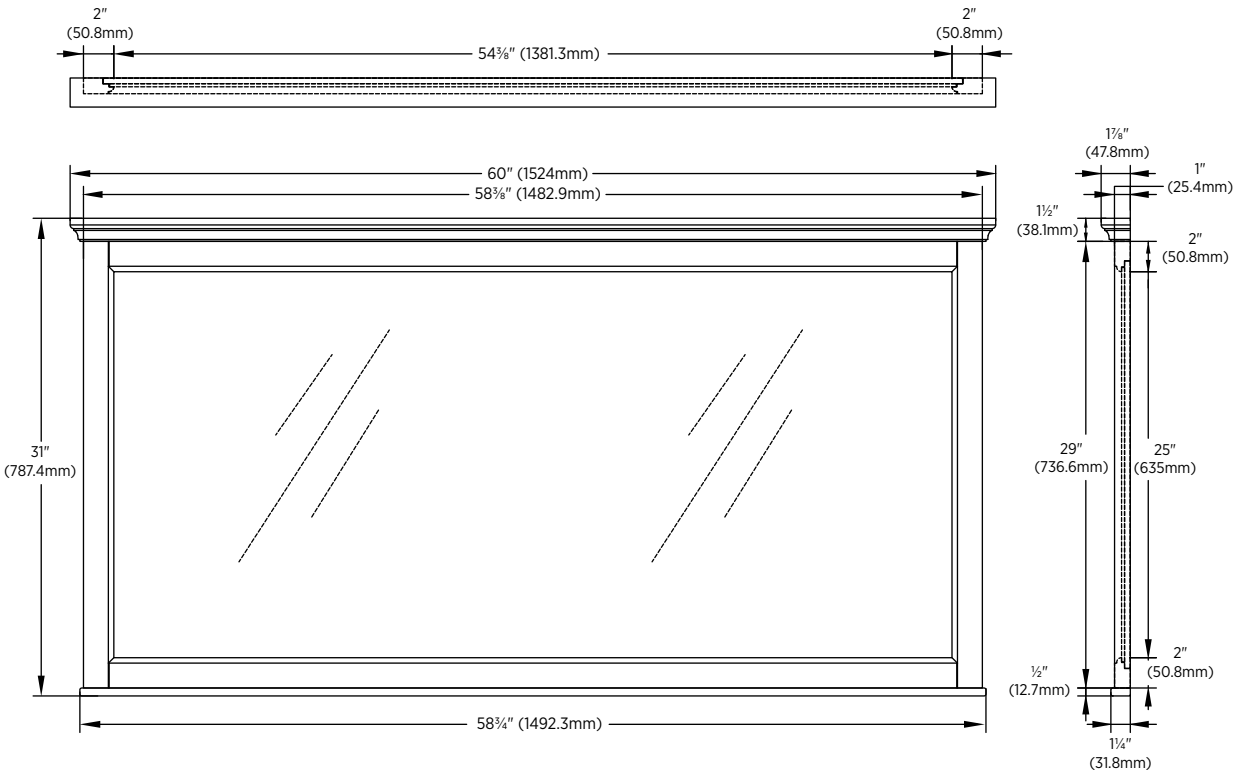
**ASWM3160**

UPC: 721015368717

### GREY:

**ASGRM3160**

UPC: 721015368700



## Notes:

Important: Dimensions of product are nominal and may vary within the range of tolerances allowed. These measurements are subject to change or cancellation. No responsibility is assumed for use of superseded or voided pages.

REVISED: AUG 2018

**CANADA:** 5970 Chedworth Way, Unit B, Mississauga, Ontario L5R 4G5 **T:** (888) 256-7551 **F:** (905) 507-2006 [www.foremostcanada.com](http://www.foremostcanada.com)  
**US:** 6241 Northwind Parkway, Hobart, Indiana 46342 **T:** (888) 620-3667 **F:** (219) 947-3630 [www.foremostgroups.com](http://www.foremostgroups.com)