

SPECIFICATIONS:

- White Finish
- Assembled vanity
- 2 Slow close drawers
- U-shaped drawer for additional storage
- Full extension drawers
- Composite top with 4" centre faucet drilling included
- Brushed nickel handles
- Faucet and accessories not included

OVERALL DIMENSIONS:

25" (W) x 19" (D) x 35³/₄" (H)
635mm (W) x 482.6mm (D) x 908.1mm (H)

SHIPPING:

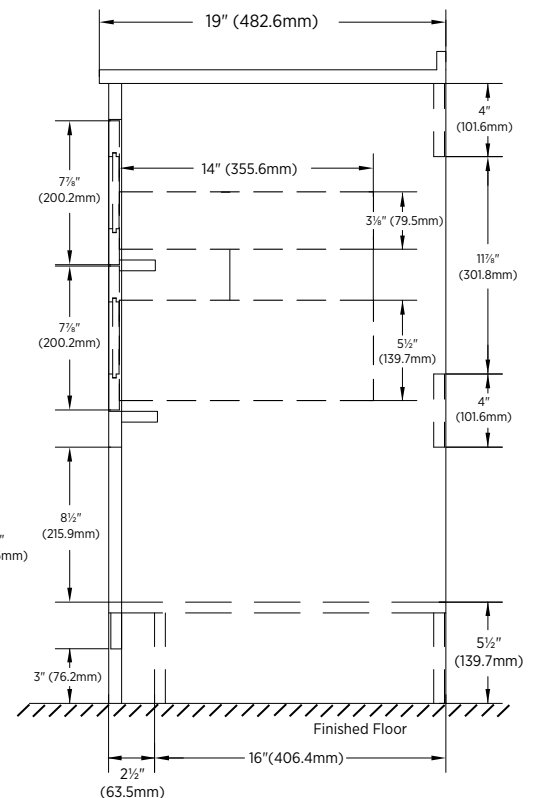
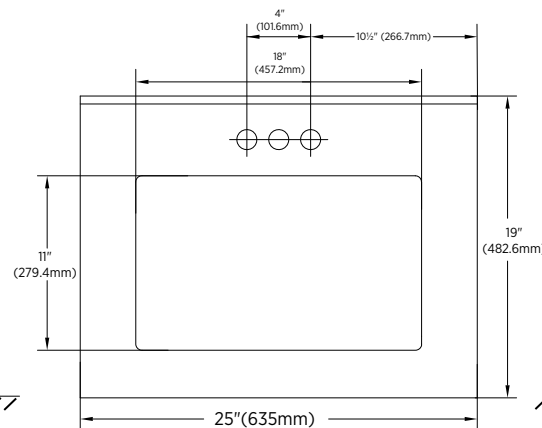
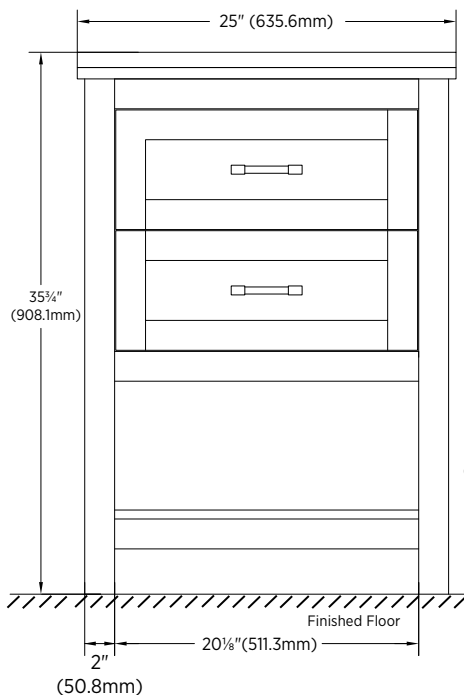
Cube 12.88
GW 83.5 lbs



ITEM TO BE SPECIFIED:

WHITE:

LAWVT2519
UPC: 721015432319



Notes:

Important: Dimensions of product are nominal and may vary within the range of tolerances allowed. These measurements are subject to change or cancellation. No responsibility is assumed for use of superseded or voided pages.