

## SPECIFICATIONS:

- White Finish
- Assembled vanity
- 2 Slow close drawers
- U-shaped drawer for additional storage
- Full extension drawers
- Composite top with 4" centre faucet drilling included
- Brushed nickel handle
- Faucet and accessories not included

## OVERALL DIMENSIONS:

31" (W) x 19" (D) x 35¾" (H)  
787.7mm (W) x 482.6mm (D) x 908.1mm (H)

## SHIPPING:

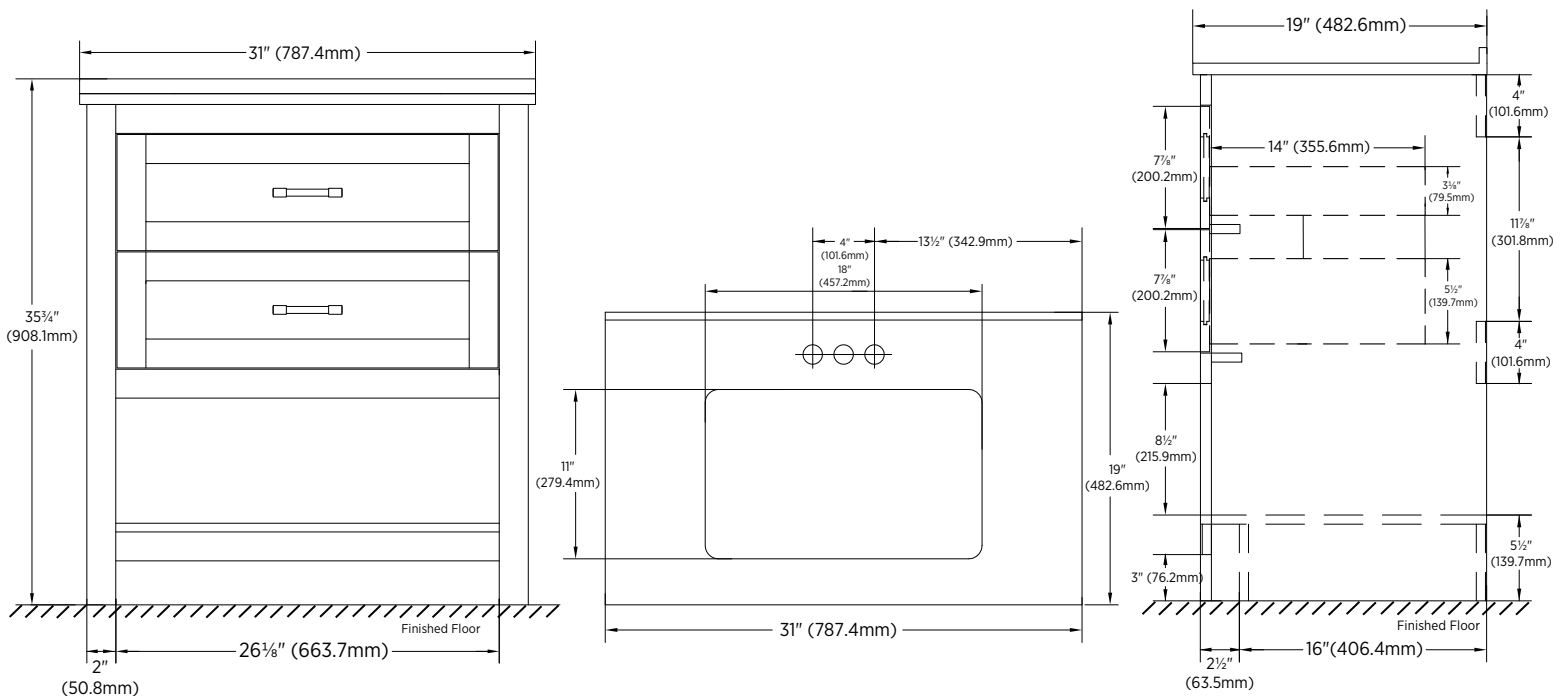
**Cube** 15.74  
**GW** 94 lbs



## ITEM TO BE SPECIFIED:

### WHITE:

**LAWVT3119**  
UPC: 721015432326



## Notes:

Important: Dimensions of product are nominal and may vary within the range of tolerances allowed. These measurements are subject to change or cancellation. No responsibility is assumed for use of superseded or voided pages.