

Specifications:

- High Gloss White finish
- MDF construction with melamine
- 1 Push-to-open drawer
- 4 Concealed castors

Overall Dimensions:

20" (W) x 15⁷/₈" (D) x 14⁷/₈" (H)

Shipping:

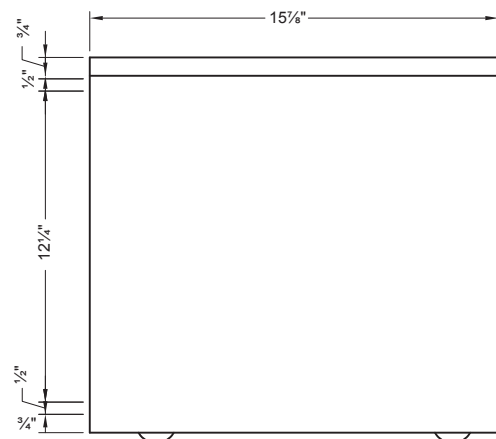
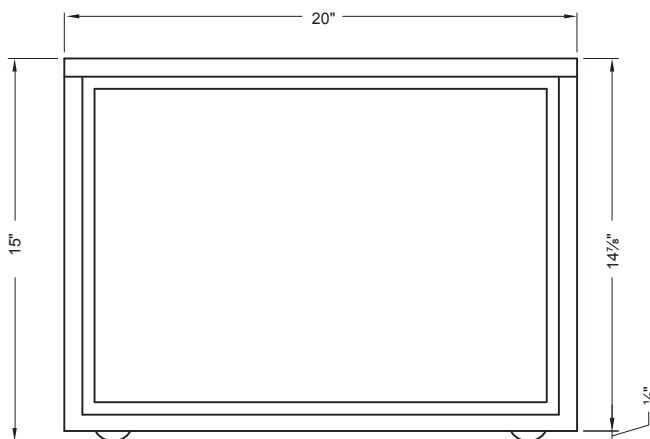
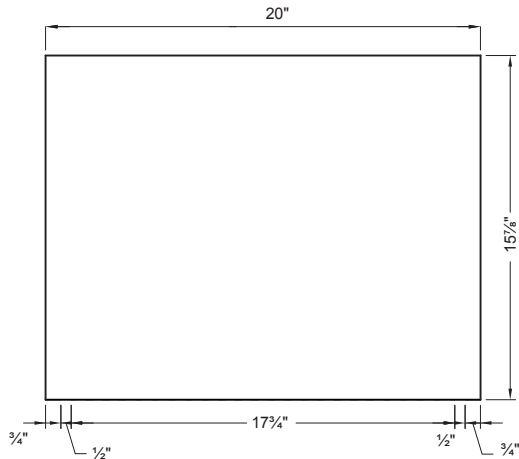
Cube: 4.49 ft.

GW: 50.16 lbs



Item to be specified:

□ CRWSB2014
HIGH GLOSS WHITE
UPC: 721015429111



Notes:

Important: Dimensions of product are nominal and may vary within the range of tolerances allowed. These measurements are subject to change or cancellation. No responsibility is assumed for use of superseded or voided pages.