

### Specifications:

- Durable twin skin acrylic
- Cast polished chrome claw feet
- Slip resistant interior
- Trap drain system not included
- This tub has not been pre-drilled for faucet assembly to tub
- Faucets can be wall or floor mounted only



### Overall Dimensions:

1520mm (W) x 720mm (D) x 590mm (H)

59<sup>7</sup>/<sub>8</sub>" (W) x 28<sup>3</sup>/<sub>8</sub>" (D) x 23<sup>1</sup>/<sub>4</sub>" (H)

### Shipping:

**Cube** 10.5  
**GW** 93.5 lbs

### Compliance Certifications:

Meets or exceeds the following specs:

- cUPC certified
- ANSI 124.1.2/ CSA B45 series-02

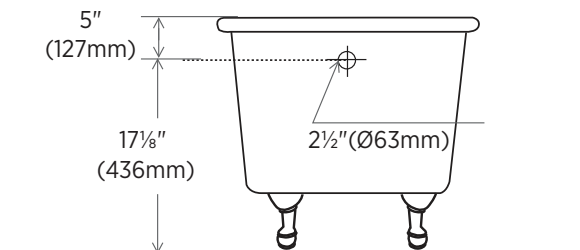
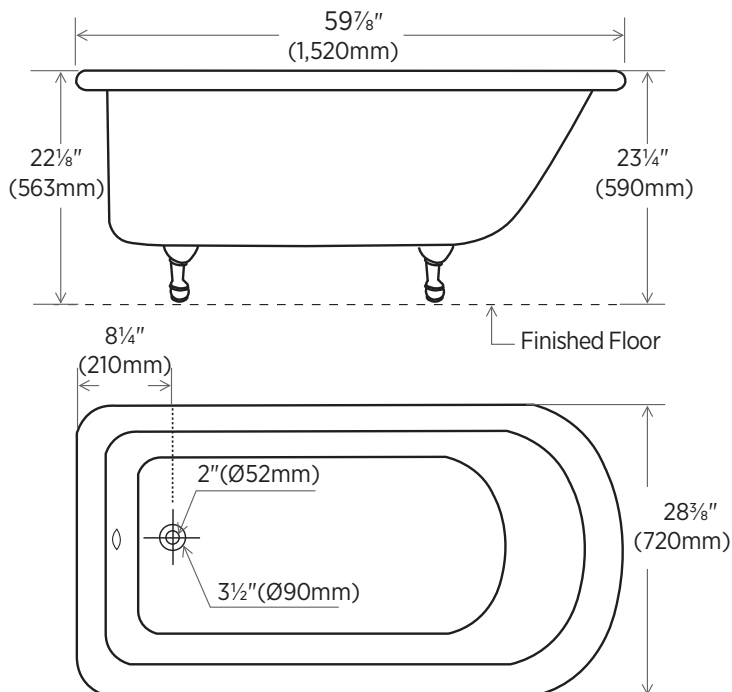


### Item to be specified:

**White:**

**11-0006**

UPC: 721015421108



### Notes:

Important: Dimensions of fixtures are nominal and may vary within the range of tolerances established by ANSI standard A112.19.2. These measurements are subject to change or cancellation. No responsibility is assumed for use of superseded or voided pages.