

### Specifications:

- Vitreous china
- High efficiency toilet
- 4.8Lpf / 1.28Gpf
- Elongated bowl
- 17" high Plus Height bowl with concealed trapway
- Siphon jet flush action
- Soft white trip lever
- Standard 12" rough-in
- Water surface: (210mm x 151mm) 8¼" x 5⅞"
- Plastic smooth close toilet seat and floor mounting bracket included
- 100% factory flush tested

### Overall Dimensions:

434mm (W) x 749mm (D) x 844mm (H)  
 17" (W) x 29½" (D) x 33¼" (H)

### Shipping:

**Cube** 7.9  
**GW** 110 lbs

### Compliance Certifications:

Meets or exceeds the following specs:

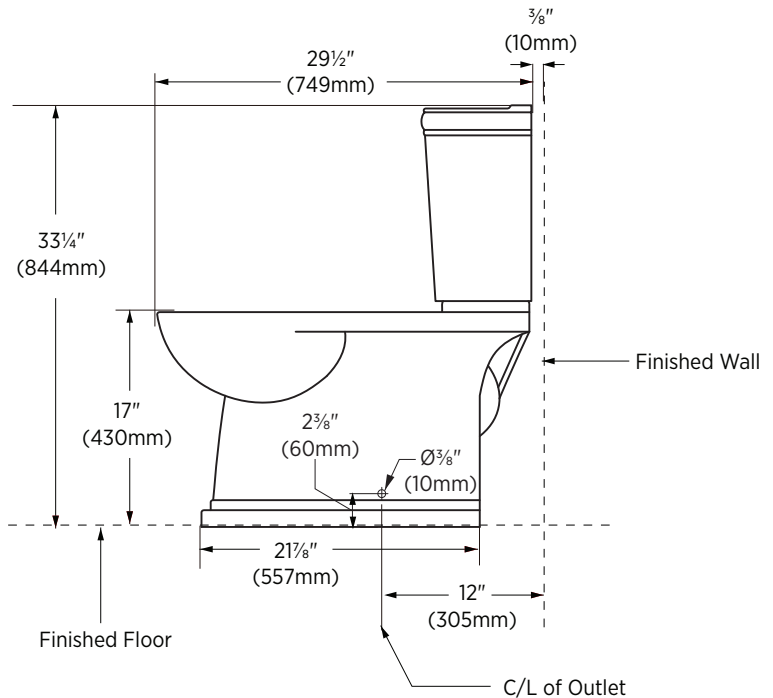
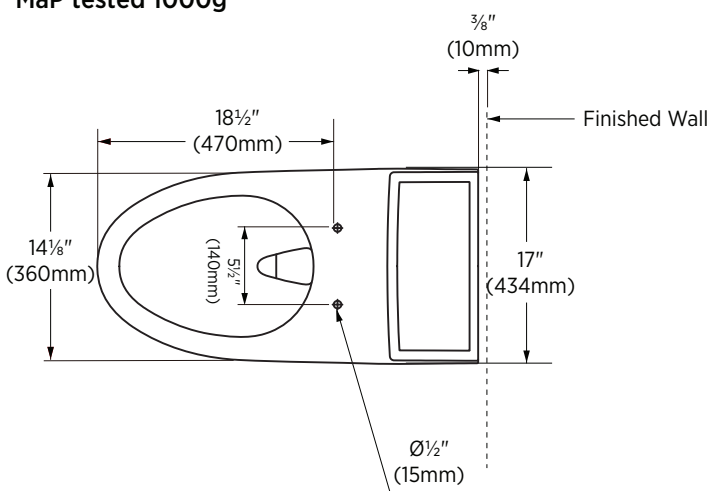
- IAPMO cUPC
- ASME A112.19.2 / CSA B45.1-2008
- US EPA WaterSense
- ADA Guidelines & ANSI A117.1
- **MaP tested 1000g**



### Item to be specified:

#### Soft White:

**TL-7227-WL** (lined tank)  
 UPC: 721015423539



### Notes:

Important: Dimensions of fixtures are nominal and may vary within the range of tolerances established by ANSI standard A112.19.2. These measurements are subject to change or cancellation. No responsibility is assumed for use of superseded or voided pages.