

### SPECIFICATIONS:

- Vitreous china
- Available in single hole or 4" center
- Front overflow
- Template supplied
- Faucet not included

### OVERALL DIMENSIONS:

535mm (W) x 478mm (D) x 180mm (H)  
 21" (W) x 18<sup>7</sup>/<sub>8</sub>" (D) x 7<sup>1</sup>/<sub>8</sub>" (H)

### SHIPPING:

**Cube** 2.02  
**GW** 23.36 lbs

### COMPLIANCE CERTIFICATIONS:

Meets or exceeds the following specs:

- IAPMO cUPC
- ASME A112.19.2 / CSA B45.1
- ADA Guidelines & ANSI A117.1



### ITEM TO BE SPECIFIED:

**SOFT WHITE:**

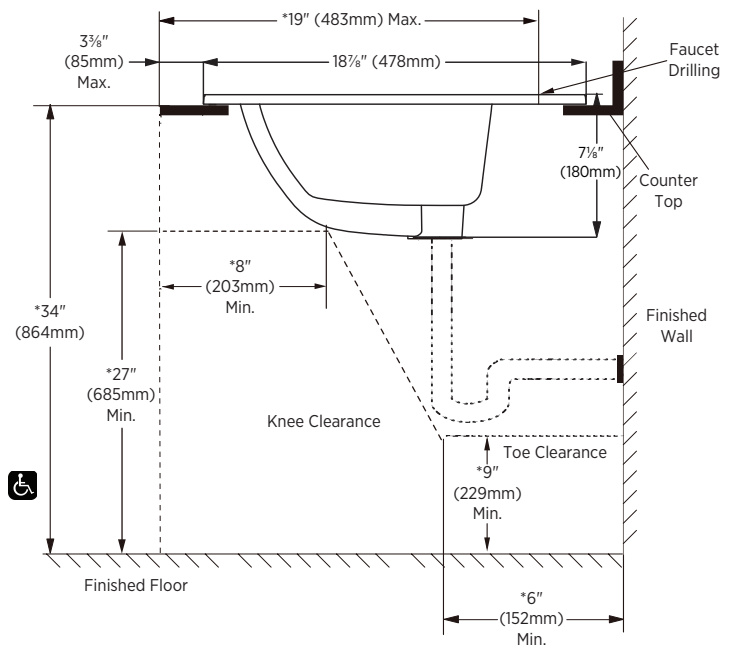
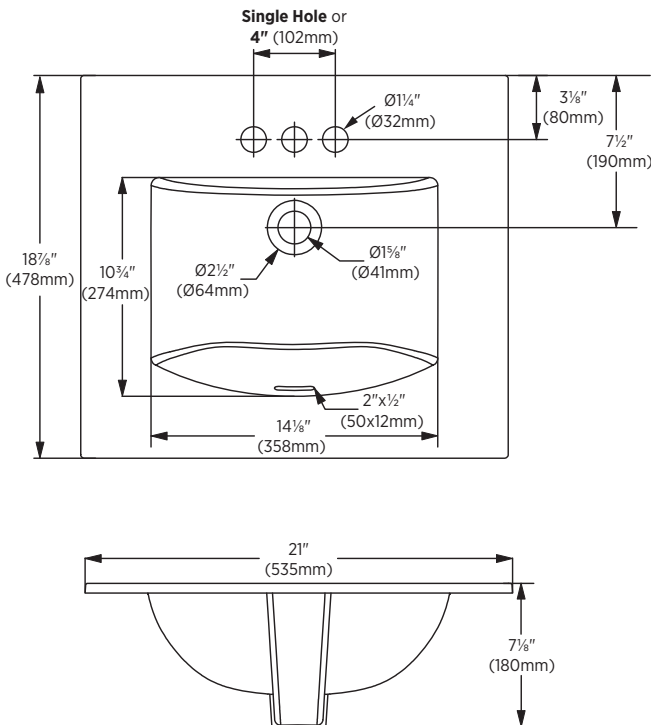
**13-0078-W**

**13-0078-4W**

UPC: 721015428817

UPC: 721015428824

Products are designed to comply ADA/ANSI A117.1 Standard. It shall be the responsibility of the installer to comply with the local disability codes and standards prior to installing the product.



**Note:** Starred measurements comply with ADA accessibility requirements

### Notes:

Important: Dimensions of product are nominal and may vary within the range of tolerances allowed. These measurements are subject to change or cancellation. No responsibility is assumed for use of superseded or voided pages.