

SPECIFICATIONS:

- White finish
- Pre-attached mounting hooks

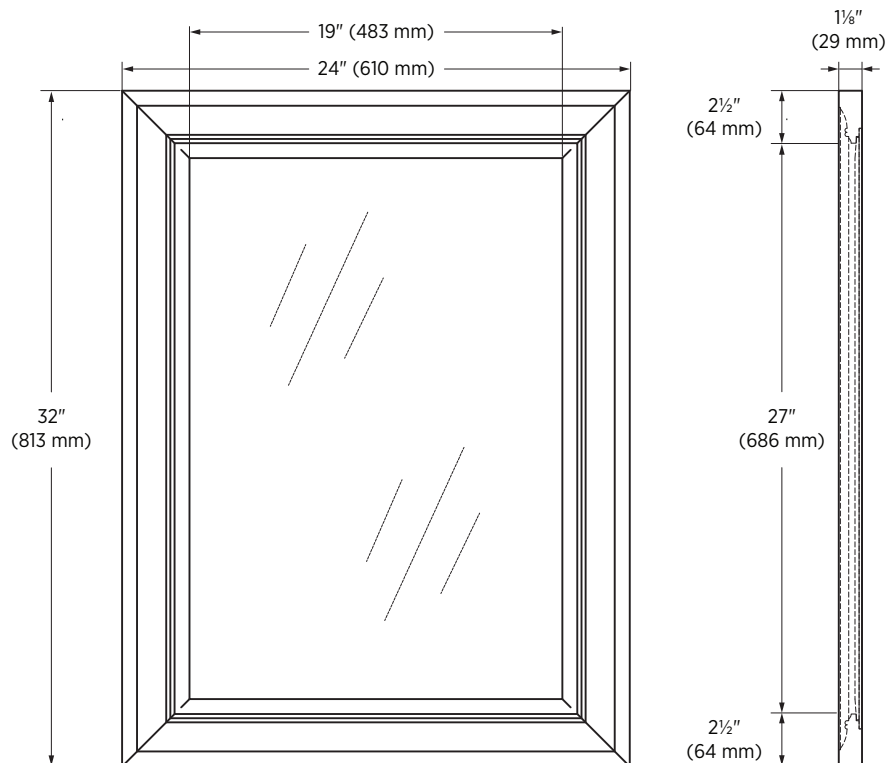
OVERALL DIMENSIONS:

24" (W) x 1½" (D) x 32" (H)
610 mm (W) x 29 mm (D) x 813 mm (H)

ITEM TO BE SPECIFIED:

WHITE:

EVTM2431
UPC: 721015429333



Important: Dimensions of product are nominal and may vary within the range of tolerances allowed. These measurements are subject to change or cancellation. No responsibility is assumed for use of superseded or voided pages.