

Specifications:

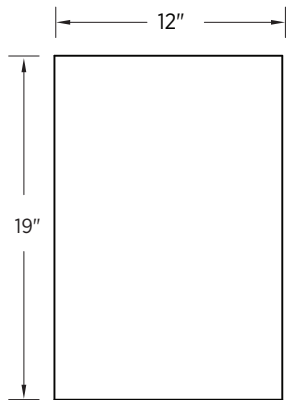
- 2 Slow close drawers (Second and third are combined)
- Cultured marble top included
- Brushed nickel handles
- Fully assembled

Overall Dimensions:

12" (W) x 19" (D) x 30³/₄" (H)

Shipping:

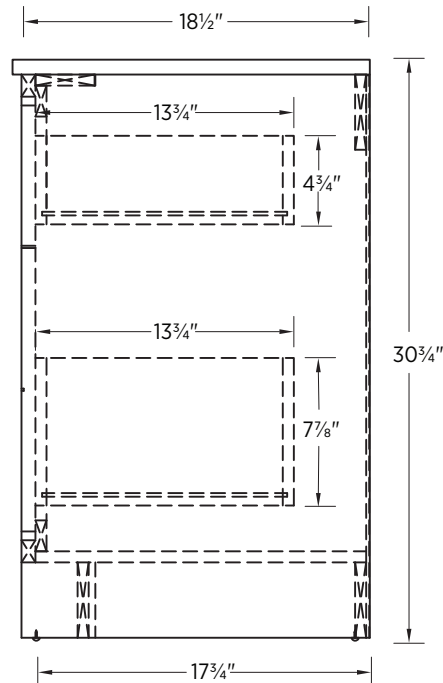
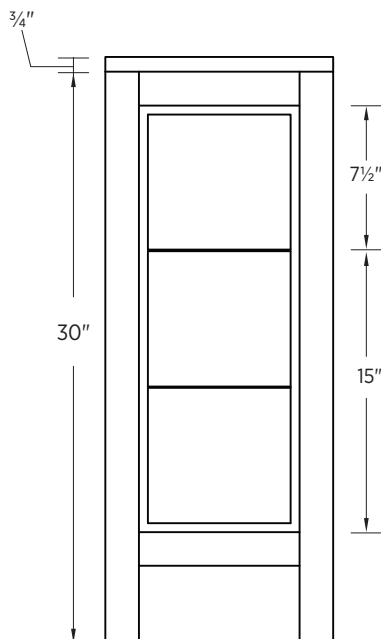
Cube 5.78
GW 70.4lbs



Item to be specified:

Dark walnut:

KANF1231
UPC: 721015428626



Notes:

Important: Dimensions of product are nominal and may vary within the range of tolerances allowed. These measurements are subject to change or cancellation. No responsibility is assumed for use or superseded or voided pages.