

SPECIFICATIONS:

- Distressed grey finish
- Decorative frame
- Secure-Mount™ hanging system included
- Fully assembled

OVERALL DIMENSIONS:

23½" W x 2" D x 31⅞" H
596.9mm W x 50.8mm D x 809.8mm H

SHIPPING:

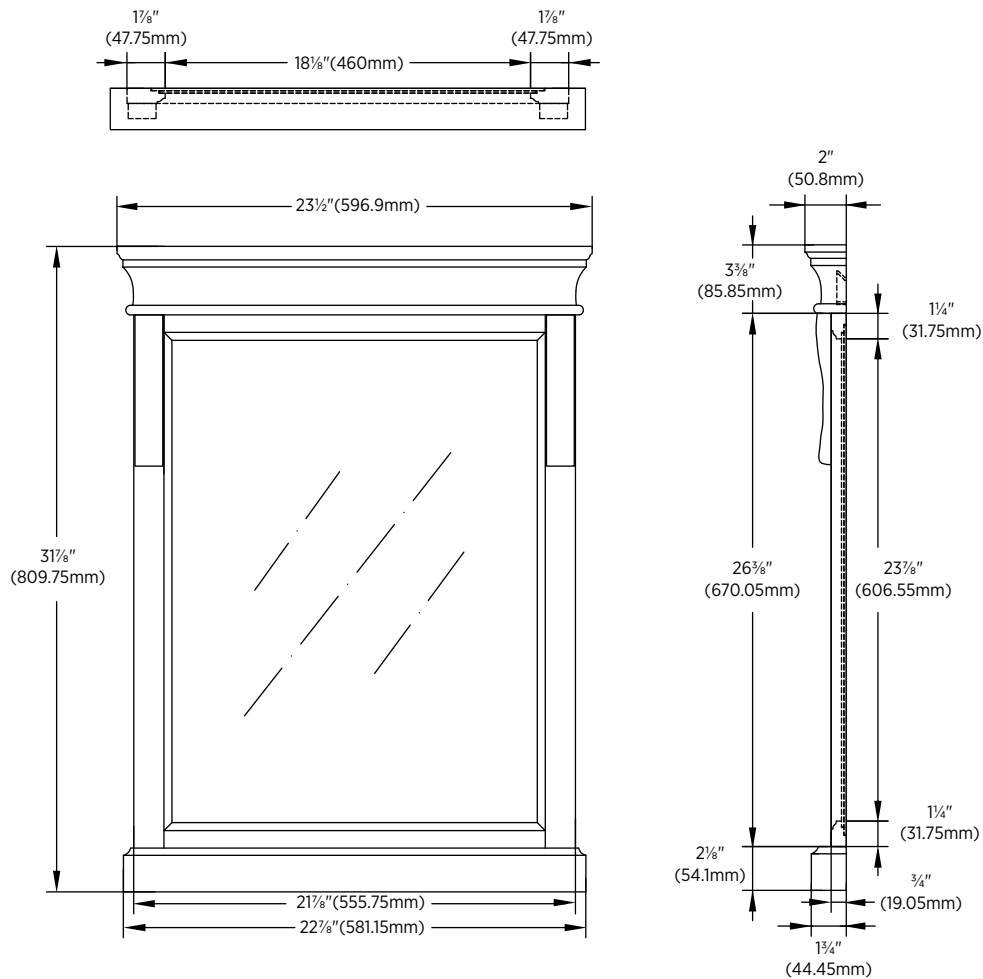
Cube 2.48
GW 16.28 lbs

ITEMS TO BE SPECIFIED:

DISTRESSED GREY:

☐ **NADGM2432**

UPC: 721015366942



Notes:

Important: Dimensions of product are nominal and may vary within the range of tolerances allowed. These measurements are subject to change or cancellation. No responsibility is assumed for use of superseded or voided pages.

REVISED: AUG 2018

CANADA: 5970 Chedworth Way, Unit B, Mississauga, Ontario L5R 4G5 **T:** (888) 256-7551 **F:** (905) 507-2006 www.foremostcanada.com
US: 6241 Northwind Parkway, Hobart, Indiana 46342 **T:** (888) 620-3667 **F:** (219) 947-3630 www.foremostgroups.com