

## SPECIFICATIONS:

- Vitreous china
- High efficiency 3.8Lpf / 1.0Gpf
- Elongated bowl
- Bowl height 17"
- Siphon jet flush action
- Chrome tank lever
- Standard 12" rough-in
- Included in the box: installation hardware, bolt covers and wax ring
- Water surface: 8<sup>5</sup>/<sub>8</sub>" x 7<sup>3</sup>/<sub>4</sub>" (220mm x 170mm)
- Premium plastic smooth close toilet seat
- 100% factory flush tested

## OVERALL DIMENSIONS:

438mm (W) x 754mm (D) x 802mm (H)  
 17<sup>1</sup>/<sub>4</sub>" (W) x 29<sup>5</sup>/<sub>8</sub>" (D) x 31<sup>1</sup>/<sub>2</sub>" (H)

## SHIPPING:

**Cube** 6.82  
**GW** 91 lbs

## COMPLIANCE CERTIFICATIONS:

Meets or exceeds the following specs:

- IAPMO cUPC
- ASME A112.19.2 / CSA B45.1
- US EPA WaterSense
- MaP Tested 800g

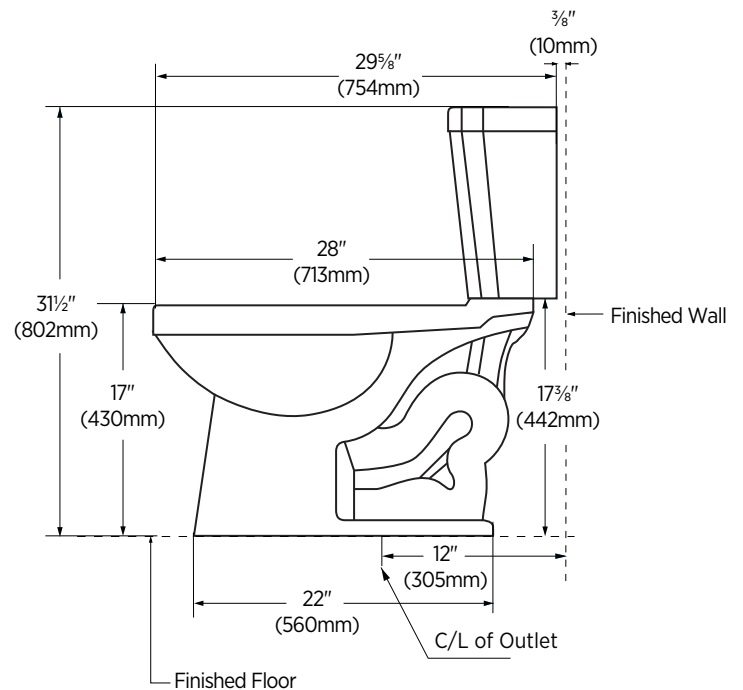
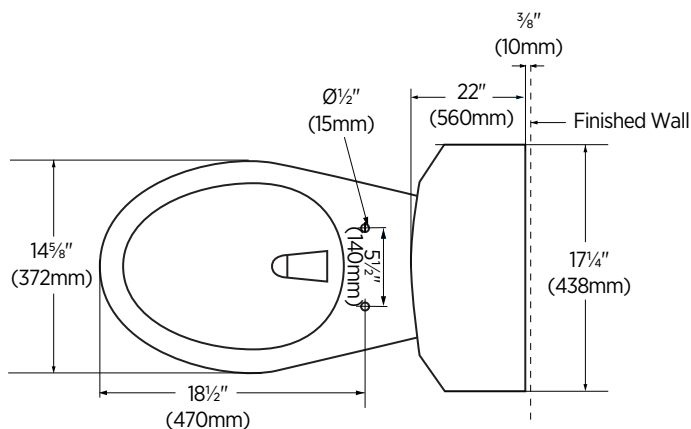


## ITEM TO BE SPECIFIED:

**SOFT WHITE:**

**TT-8296-WL**

UPC: 721015420637



### Notes:

Important: Dimensions of product are nominal and may vary within the range of tolerances allowed. These measurements are subject to change or cancellation. No responsibility is assumed for use of superseded or voided pages.