

Specifications:

- Durable twin skin acrylic
- Pre-drilled waste and overflow holes
- Cast polished chrome claw feet
- Slip resistant interior
- Trap drain system not included
- Faucet can be wall or floor mounted only



Overall Dimensions:

1676mm (W) x 775mm (D) x 737mm (H)
66" (W) x 30½" (D) x 29" (H)

Shipping:

Cube 6.32
GW 80 lbs

Compliance Certifications:

- Meets or exceeds the following specs:
- cUPC certified
 - ANSI 124.1.2/ CSA B45 series-02

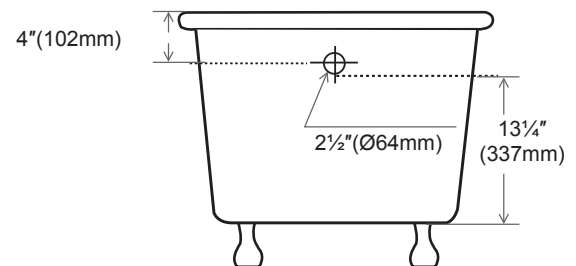
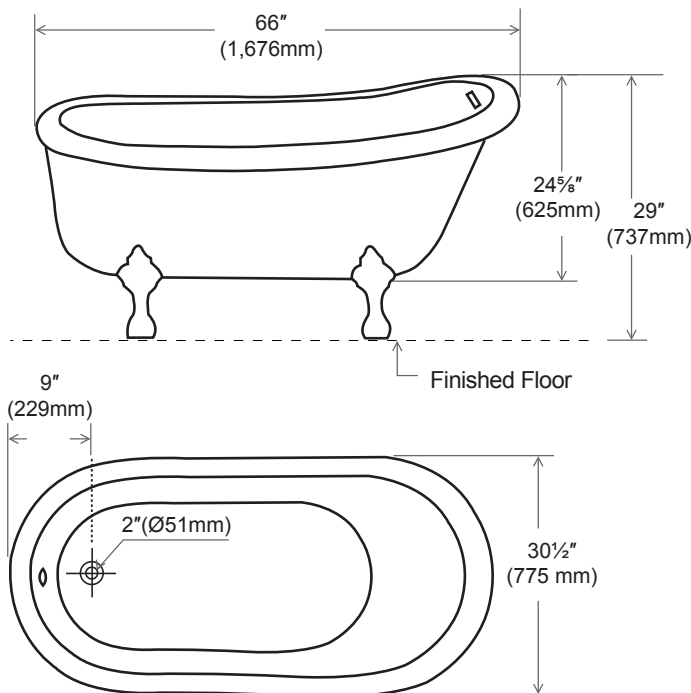


Item to be specified:

White:

11-1501

UPC: 721015412083



Notes:

Important: Dimensions of fixtures are nominal and may vary within the range of tolerances established by ANSI standard A112.19.2. These measurements are subject to change or cancellation. No responsibility is assumed for use of superseded or voided pages.